



Technická inšpekcia, a.s.

Trnavská cesta 56, 821 01 Bratislava
Slovenská republika

[1] EU-TYPE EXAMINATION CERTIFICATE



[2] Equipment or Protective System Intended for use in potentially explosive atmospheres
Directive 2014/34/EU

[3] EU-Type Examination Certificate Number:

TI21ATEX 1121 X

[4] Product:

ATCAB® ADAPTOR

[5] Manufacturer: **ATLAS METAL INDUSTRIES PRIVATE LIMITED**

[6] Address: **INDUSTRIAL PLOT NUMBER 1 AND 2, R.S.NO 472, AT VILLAGE CHANGA, JAMANGAR LALPUR HIGHWAY, CHANGA, TALUKA JAMNAGAR, GUJARAT, 361012**

[7] This product and any acceptable variation thereto is specified in the schedule to this certificate and the documents therein referred to.

[8] Technická inšpekcia, a.s., Notified Body Number 1354 in accordance with Article 17 of Directive 2014/34/EU of the European Parliament and of the Council, dated 26 February 2014, certifies that this product has been found to comply with the Essential Health and Safety Requirements relating to the design and construction of product intended for use in potentially explosive atmospheres given in Annex II to the Directive.

The examination and test results are recorded in confidential report No. 824/5/2017.

[9] Compliance with the Essential Health and safety Requirements has been assured by compliance with: **EN 60079-0:2012+A11:2013, EN 60079-1:2014, EN 60079-31:2014** except in respect of those requirements listed at item 18 of the Schedule.

[10] If the sign "X" is placed after the certificate number, it indicate that the product is subject to the Specific conditions of Use specified in the schedule to this certificate.

[11] This EU-TYPE EXAMINATION CERTIFICATE relates only to the design and construction of the specified product. Further requirements of this Directive apply to the manufacturing process and supply of this product.

[12] The marking of the product shall include the following:



**II 2 GD Ex db IIC Gb / Ex e IIC Gb
Ex tb IIC Db IP67**

-60°C ≤ Tamb ≤ +125°C

-60°C ≤ Tamb ≤ +125°C

Technická inšpekcia, a.s.
Trnavská cesta 56
821 01 Bratislava, Slovakia
e-mail: tisr@tisr.sk
web: www.tisr.sk
Tel.: +421 2 49208 100



Bratislava, August 16th, 2021

V. Jurik
JUDr. Vladimír Jurik
General Director

This Certificate has cancelled Certificate No. TI21ATEX 103 X dated January 28th, 2021
This certificate may only be reproduced in its entirety and change, schedule included.

479049

Page 1 of 8 of Certificate No. TI21ATEX 1121 X



NB 1354



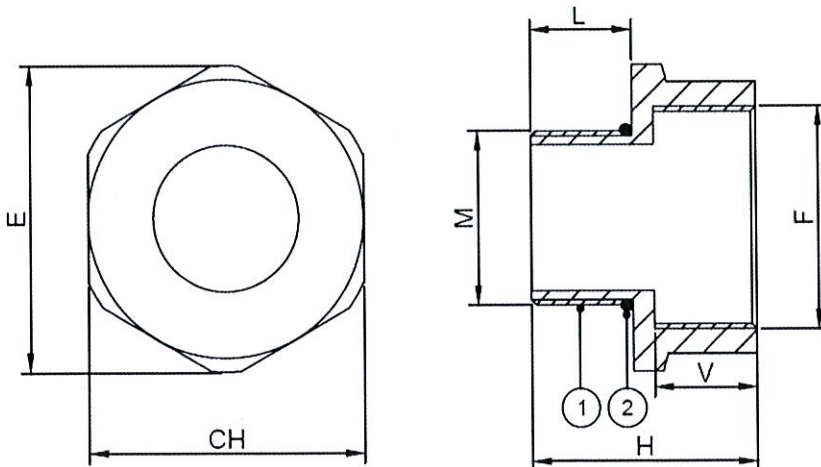
[13] **Schedule**

[14] **EU-Type Examination Certificate Number: TI21ATEX 1121 X**

[15] Description of product:

ATCAB® ADAPTOR

The ATCAB® ADAPTOR is intended for outdoor use in the appropriate Hazardous areas providing environmental protection IP67 with entry thread of Metric, BSP (BS Pipe Threads), NPT (Taper Threads) And ET (BS Conduit Thread). They are suitable for normal industrial environmental of temperature, humidity and vibration. The ATCAB® ADAPTOR is available to suit explosive atmosphere applications as well as general purpose and industrial. The ATCAB® ADAPTOR used for thread conversion and available in a wide range of thread & sizes. The ATCAB® ADAPTOR consist of Adaptor and Sealing ring. Adaptor is made from Brass, Stainless Steel or Mild Steel. Sealing Ring is made of SILICON. The ATCAB® ADAPTOR is suitable for operating temperature in the range -60°C to +125°C.



BILL OF MATERIAL				
Sr.No.	Part Name	Material	Supplier Detail	Qty.
1	Adaptor	Brass : BS 2784 CZ121 or IS 319 gr.1, SS: ASTM A314 gr. 304/316 L, Mild Steel	In - House	1
2	Sealing Ring	SILICON	Kesaria Rubber	1



This Certificate has cancelled Certificate No. TI21ATEX 103 X dated January 28th, 2021
 This certificate may only be reproduced in its entirety and change, schedule included.
 Page 2 of 8 of Certificate No. TI21ATEX 1121 X

ATCAB® ADAPTOR Dimension Chart:

Sr.No.	Code	CH	E	L	V	H	Sr.No.	Code	CH	E	L	V	H	Sr.No.	Code	CH	E	L	V	H
1	A01	20	22	15	15	33	40	A50	40	44	15	16	34	79	A114	50	55	15	22	40
2	A02	24	26.4	15	15	33	41	A51	50	55	15	17	35	80	A115	55	60	15	24	42
3	A03	26	28.6	15	15	33	42	A52	55	60	15	17	35	81	A116	70	77	15	24	42
4	A04	32	35	15	15	33	43	A53	70	77	15	18	36	82	A117	80	88	15	28	46
5	A05	40	44	15	15	33	44	A54	95	104	15	20	38	83	A118	95	104	15	28	46
6	A06	45	49.5	15	15	33	45	A55	95	104	20	20	43	84	A119	80	88	20	28	51
7	A07	55	60	15	15	33	46	A57	50	55	16	17	36	85	A120	95	104	20	28	51
8	A08	70	77	15	15	33	47	A58	55	60	16	17	36	86	A123	55	60	16	24	43
9	A09	85	93	15	20	38	48	A59	70	77	16	18	37	87	A128	55	60	17	24	44
10	A10	100	110	15	20	38	49	A62	55	60	17	17	37	88	A129	70	77	17	24	44
11	A11	85	93	20	20	43	50	A63	70	77	17	18	38	89	A134	95	104	18	28	49
12	A12	100	110	20	20	43	51	A64	95	104	17	20	40	90	A137	32	35	18	18	39
13	A13	40	44	16	15	34	52	A66	95	104	18	20	41	91	A138	40	44	18	22	43
14	A14	45	49.5	16	15	34	53	A67	40	44	18	16	37	92	A139	50	55	18	22	43
15	A15	55	60	16	15	34	54	A68	50	55	18	17	38	93	A140	55	60	18	24	45
16	A19	45	49.5	17	15	35	55	A70	40	44	22	16	41	94	A142	50	55	22	22	47
17	A20	55	60	17	15	35	56	A71	50	55	22	17	42	95	A143	55	60	22	24	49
18	A21	70	77	17	15	35	57	A72	55	60	22	17	42	96	A144	70	77	22	24	49
19	A22	85	93	17	20	40	58	A73	70	77	22	18	43	97	A145	80	88	22	28	53
20	A24	70	77	18	15	36	59	A75	55	60	24	17	44	98	A148	70	77	24	24	51
21	A25	85	93	18	20	41	60	A76	70	77	24	18	45	99	A149	80	88	24	28	55
22	A26	100	110	18	20	41	61	A77	95	104	24	20	47	100	A150	95	104	24	28	55
23	A27	26	28.6	18	15	36	62	A78	95	104	28	20	51	101	A152	95	104	28	28	59
24	A28	32	35	18	15	36	63	A79	40	44	23	16	42	102	A154	50	55	23	22	48
25	A29	40	44	18	15	36	64	A80	50	55	23	17	43	103	A155	55	60	23	24	50
26	A30	45	49.5	18	15	36	65	A81	55	60	23	17	43	104	A156	70	77	23	24	50
27	A32	40	44	22	15	40	66	A82	100	110	23	18	44	105	A159	40	44	15	23	41
28	A33	45	49.5	22	15	40	67	A84	16	17.6	15	15	33	106	A160	50	55	15	23	41
29	A34	55	60	22	15	40	68	A85	27	29.7	15	15	33	107	A161	85	94	15	28	46
30	A35	70	77	22	15	40	69	A86	36	39.6	15	15	33	108	A162	85	94	20	28	51
31	A38	55	60	24	15	42	70	A87	60	66	15	20	38	109	A164	50	55	16	23	42
32	A39	70	77	24	15	42	71	A88	65	71	15	20	38	110	A168	85	94	18	28	49
33	A40	85	93	24	20	47	72	A89	30	33	15	15	33	111	A169	50	55	18	23	44
34	A42	85	93	28	20	51	73	A90	70	77	15	20	38	112	A171	50	55	22	23	48
35	A43	100	110	28	20	51	74	A98	65	71	20	20	43	113	A173	85	94	24	28	55
36	A44	40	44	23	15	41	75	A99	24	26.4	18	15	36	114	A176	50	55	23	23	49
37	A45	45	49.5	23	15	41	76	A111	26	28.6	15	18	36	115	A178	60	66	20	15	38
38	A46	55	60	23	15	41	77	A112	32	35	15	18	36	116	A179	70	77	20	15	38
39	A47	70	77	23	15	41	78	A113	40	44	15	22	40							



This Certificate has cancelled Certificate No. TI21ATEX 103 X dated January 28th, 2021
 This certificate may only be reproduced in its entirety and change, schedule included.
 Page 3 of 8 of Certificate No. TI21ATEX 1121 X

ATCAB® ADAPTOR Selection Chart (1):

	ISO 262 (MM)									USAS 2.1.1968 (NPT)												
	MALE	FEMALE	M12X1.5	M16X1.5	M20X1.5	M25X1.5	M32X1.5	M40X1.5	M50X1.5	M63X1.5	M75X1.5	M90X1.5	3/8" NPT	1/2" NPT	3/4" NPT	1" NPT	1.1/4" NPT	1.1/2" NPT	2" NPT	2.1/2" NPT	3" NPT	
ISO 262 (MM)	M12X1.5			A02	A03	A04							A02	A111	A112							
	M16X1.5			A03	A04								A02	A111	A112							
	M20X1.5			A04	A05	A06							A111	A112	A113							
	M25X1.5				A05	A06	A07						A112	A113	A114							
	M32X1.5					A06	A07	A08					A113	A114	A115							
	M40X1.5						A07	A08						A114	A115							
	M50X1.5							A08	A09							A115	A116					
	M63X1.5									A09	A10							A116	A117			
	M75X1.5										A12									A117	A120	
	M90X1.5																					A120
USAS 2.1.1968 (NPT)	3/8" NPT		A02	A03	A04																	
	1/2" NPT		A27	A28	A29								A99	A111	A112	A113						
	3/4" NPT			A28	A29	A30									A137	A138	A139					
	1" NPT				A32	A33	A34									A138	A139	A140				
	1.1/4" NPT					A33	A34	A35									A142	A143	A144			
	1.1/2" NPT						A38	A39	A40									A143	A144	A145		
	2" NPT							A39	A40										A148	A149	A150	
	2.1/2" NPT									A42	A43											A152
	3" NPT										A43											
ISO 7/UNI 6125 (BSPT)	3/8"			A03	A04										A111	A112						
	1/2"			A27	A28	A29										A137	A138					
	3/4"				A28	A30											A138	A139				
	1"					A44	A45	A46										A154	A155			
	1.1/4"						A45	A46	A47										A155	A156		
	1.1/2"							A38	A39											A148	A149	
	2"								A39	A40											A149	A150
	2.1/2"									A42	A43											A152
	3"										A43											
DIN 40430 (PG)	PG7	A01	A02																			
	PG9	A01	A02	A03																		
	PG11		A02	A03	A04																	
	PG13.5			A03	A04	A05																
	PG16			A03	A04	A05	A06															
	PG21				A04	A05	A06	A07														
	PG29					A06	A07	A08														
	PG36						A07	A08	A09													
	PG42							A178	A179	A11	A12											
PG48								A179	A11	A12												
ISO 228 (BSP)	G3/8"		A02	A03	A04								A02	A111	A112							
	G1/2"			A03	A04	A05								A111	A112	A113						
	G3/4"				A04	A05	A06								A112	A113	A114					
	G1"					A13	A14	A15								A113	A114	A115				
	G1.1/4"						A19	A20	A21								A114	A115	A116			
	G1.1/2"							A20	A21	A22								A115	A116	A117		
	G2"								A24	A25	A26								A116	A117		
	G2.1/2"									A11	A12										A119	A120
	G3"										A12											A120
B.S. CONE (ET) CONDUIT TO BS31	ET1/2"	A01	A02	A03									A02	A111								
	ET5/8"		A02	A03	A04								A02	A111	A112							
	ET3/4"			A03	A04	A05							A02	A111	A112	A113						
	ET1"				A04	A05	A06								A112	A113	A114					
	ET1.1/4"					A13	A06	A07								A113	A114	A115				
	ET1.1/2"						A06	A07	A21								A114	A115	A116			
	ET2"							A07	A21	A22								A115	A116	A117		
	ET2.1/2"								A24	A25	A26								A116	A117	A118	
	ET3"									A11	A12										A119	A120
	ET3.1/2"										A12											A120

This Certificate has cancelled Certificate No. TI21ATEX 103 X dated January 28th, 2021
 This certificate may only be reproduced in its entirety and change, schedule included.
 Page 4 of 8 of Certificate No. TI21ATEX 1121 X



ATCAB® ADAPTOR Selection Chart (2):

	ISO 7/UNI 6125 (BSPT)									DIN 40430 (PG)														
	MALE	FEMALE	3/8"	1/2"	3/4"	1"	1.1/4"	1.1/2"	2"	2.1/2"	3"	PG7	PG9	PG11	PG13.5	PG16	PG21	PG29	PG36	PG42	PG48			
ISO 262 (MM)	M12X1.5		A02	A111								A84	A01	A02										
	M16X1.5		A02	A111	A112								A01	A02	A03									
	M20X1.5			A111	A112	A159								A02	A03	A85								
	M25X1.5				A112	A159	A160									A89	A86							
	M32X1.5					A159	A160	A115									A86	A06						
	M40X1.5						A160	A115	A116									A06	A07					
	M50X1.5							A115	A116	A161									A07	A87				
	M63X1.5								A116	A161	A118												A90	
	M75X1.5									A162	A120													
	M90X1.5										A120													
USAS 2.1.1968 (NPT)	3/8" NPT			A111	A112																			
	1/2" NPT		A99		A137	A168																		
	3/4" NPT					A168	A169																	
	1" NPT						A171	A143																
	1.1/4" NPT							A143	A144															
	1.1/2" NPT								A148	A173														
	2" NPT										A173	A150												
	2.1/2" NPT											A152												
	3" NPT																							
ISO 7/UNI 6125 (BSPT)	3/8"			A111	A112																			
	1/2"				A137	A168																		
	3/4"					A168	A169																	
	1"						A176	A155																
	1.1/4"							A155	A156															
	1.1/2"								A148	A173														
	2"									A173	A150													
	2.1/2"											A152												
	3"																							
DIN 40430 (PG)	PG7												A01	A02	A03									
	PG9												A01	A02	A03	A85								
	PG11												A02		A03	A85	A86							
	PG13.5															A85	A86	R06						
	PG16																A86	A06	A07					
	PG21																	A06	A07	A87				
	PG29																		A07	A87	A88			
	PG36																			A07	A87	A88		
	PG42																					A87	A88	
PG48																						A88		
ISO 228 (BSP)	G3/8"			A111	A112																			
	G1/2"				A112	A159																		
	G3/4"					A159	A160																	
	G1"						A164	A123																
	G1.1/4"							A128	A129															
	G1.1/2"								A129															
	G2"										A166	A134												
	G2.1/2"											A120												
	G3"																							
B.S. CONE (ET) CONDUIT TO BS31	ET1/2"		A02	A111																				
	ET5/8"		A02	A111	A112																			
	ET3/4"		A02	A111	A112	A159																		
	ET1"				A112	A159	A160																	
	ET1.1/4"					A159	A160	A115																
	ET1.1/2"						A160	A115	A116															
	ET2"							A115	A116	A161														
	ET2.1/2"								A116	A161														
	ET3"									A162														
ET3.1/2"																								

This Certificate has cancelled Certificate No. TI21ATEX 103 X dated January 28th, 2021
 This certificate may only be reproduced in its entirety and change, schedule included.
 Page 5 of 8 of Certificate No. TI21ATEX 1121 X



ATCAB® ADAPTOR Selection Chart (3):

	ISO 228 (BSP)										B.S. CONE (ET) CONDUIT TO BS31											
	MALE	FEMALE	G3/8"	G1/2"	G3/4"	G1"	G1.1/4"	G1.1/2"	G2"	G2.1/2"	G3"	ET1/2"	ET5/8"	ET3/4"	ET1"	ET1.1/4"	ET1.1/2"	ET2"	ET2.1/2"	ET3"	ET3.1/2"	
ISO 262 (MM)	M12X1.5		A02	A03									A02									
	M16X1.5		A02	A03	A04								A02	A03								
	M20X1.5			A03	A04	A50								A03	A04	A05						
	M25X1.5				A04	A50	A51								A04	A05	A06					
	M32X1.5					A50	A51	A52								A05	A06	A07				
	M40X1.5						A51	A52	A53								A06	A07	A08			
	M50X1.5								A52	A53	A09							A07	A08	A09		
	M63X1.5									A53	A09	A54							A08	A09	A10	
	M75X1.5											A11	A55								A11	A12
	M90X1.5																					A12
USAS 2.1.1968 (NPT)	3/8" NPT		A02	A03	A04								A02	A03								
	1/2" NPT			A27	A28	A67								A27	A28							
	3/4" NPT				A28	A67	A68								A28	A29						
	1" NPT					A70	A71	A72								A32	A33					
	1.1/4" NPT						A71	A72	A73								A33	A34				
	1.1/2" NPT								A75	A76	A40							A34	A39			
	2" NPT										A76	A40	A77						A39	A40		
	2.1/2" NPT											A42	A78							A42	A43	
	3" NPT																					A43
ISO 7/UNI 6125 (BSPT)	3/8"		A02	A03	A04								A02	A03								
	1/2"			A27	A28	A67								A27	A28							
	3/4"				A28	A67	A68								A28	A29						
	1"					A79	A80	A81								A44	A45					
	1.1/4"						A80	A81	A82								A46	A46				
	1.1/2"							A75	A76	A40								A38	A39			
	2"									A76	A40	A77							A39	A40		
	2.1/2"										A42	A78								A42	A43	
	3"																					A43
DIN 40430 (PG)	PG7																					
	PG9																					
	PG11																					
	PG13.5																					
	PG16																					
	PG21																					
	PG29																					
	PG36																					
	PG42																					
PG48																						
ISO 228 (BSP)	G3/8"			A03	A04	A50							A02	A03	A04							
	G1/2"				A04	A50	A51								A03	A04	A05					
	G3/4"					A50	A51	A52								A04	A05	A06				
	G1"						A57	A58	A59								A13	A14	A15			
	G1.1/4"								A62	A63	A22							A19	A20	A21		
	G1.1/2"									A63	A22	A64							A20	A21	A22	
	G2"											A25	A66							A24	A25	A26
	G2.1/2"																				A11	A12
	G3"																					A12
B.S. CONE (ET) CONDUIT TO BS31	ET1/2"		A02	A03	A04									A02	A03	A04						
	ET5/8"		A02	A03	A04	A50									A03	A04	A05					
	ET3/4"			A03	A04	A50	A51									A04	A05	A06				
	ET1"				A04	A50	A51	A52									A05	A06	A07			
	ET1.1/4"					A50	A51	A52	A53									A06	A07			
	ET1.1/2"						A51	A52	A53	A09									A06	A07	A08	
	ET2"							A52	A53	A09	A54									A07	A08	
	ET2.1/2"								A53	A09	A54										A08	A09
	ET3"										A11	A55										A10
ET3.1/2"											A55										A12	

This Certificate has cancelled Certificate No. TI21ATEX 103 X dated January 28th, 2021
 This certificate may only be reproduced in its entirety and change, schedule included.
 Page 6 of 8 of Certificate No. TI21ATEX 1121 X



Materials of ATCAB® ADAPTOR:

Material composition of Brass BS 2874 CZ121 or IS 319 gr. 1:

Contituent	As Per IS - 319 (Grade 1)
Copper (Cu)	56.00 to 59.00 %
Lead (Pb)	2.00 to 3.50 %
Iron (Fe)	0.35%
Aluminium (Alu.)	*
Zinc	Remainder
Total Impurity Max.	0.70%

Material composition of Stainless Steel SS304 or SS316 L:

Contituent	ASTM/ASME 316L	ASTM/ASME 304
Carbon (C)	0.03 Max.	0.08 Max.
Silicon (Si)	0.75 Max.	0.75 Max.
Maganese (Mn)	2.00 Max.	2.00 Max.
Sulfur (S)	0.03 Max.	0.03 Max.
Phosphorus (P)	0.045 Max.	0.045 Max.
Chromium (Cr)	16.0 Min. to 18.0 Max.	18.0 Min. to 20.0 Max.
Nickel (Ni)	10.0 Min. to 14.0 Max.	8.0 Min. to 12.0 Max.
Other	Remainder	Remainder

Material composition of Mild Steel:

Contituent	ASTM/ASME
Carbon (C)	0.475
Silicon (Si)	0.249
Maganese (Mn)	0.570
Sulfur (S)	0.0120
Phosphorus (P)	0.0210
Chromium (Cr)	0.0220
Nickel (Ni)	0.0230
Iron (Fe)	98.6

Silicon material for Sealing Ring:

S. No.	Particulars	Unit	Values
1	Polymer/Rubber	SILICON	
2	Hardness	Shore-A	60 (+3/-3)
3	Specific Gravity	----	1.19±0.02
4	Minimum Tensile Strength	Mpa	7
5	Minimum Elongation at Break	%	280
6	Operating Temperature Range	°C	(-60 To +230)
7	Shelf Life	Month	24

This Certificate has cancelled Certificate No. TI21ATEX 103 X dated January 28th, 2021
 This certificate may only be reproduced in its entirety and change, schedule included.
 Page 7 of 8 of Certificate No. TI21ATEX 1121 X



[16] Report Number:
 Inspection report No: 824/5/2017
 Final Test Report No: 824/5/2017
 Inspection report No.: 1121/5/2021 about verification of change legal status of manufacturer only.

[17] Specific Conditions of Use:

- The ADAPTOR shall be mounted at the electrical apparatus in such a way that accidental rotation and loosening shall be prevented.
- The ADAPTOR shall be installed in such a way that temperatures at the mounting point will remain within the following temperature range $-60^{\circ}\text{C} \leq T_{\text{amb}} \leq +125^{\circ}\text{C}$.
- Only one ADAPTOR shall be used per cable entry.
- The IP 67 grade of protection comply with the requirements of the standards listed in the certificate when the ADAPTOR is fitted to an enclosure having a smooth flat mounting surface. In practice the interface between the male threaded portion of the ADAPTOR and associated enclosure cannot be defined, therefore it is the user responsibility to ensure that the appropriate ingress protection level is maintained at these interface.
- Please read Installation Instructions for Use ATCAB® ADAPTOR supplied with the product before installing the product.
- Installation shall be in accordance with requirements of EN60079-14.

[18] Essential Health and Safety Requirements:
 The Essential Health and Safety Requirements (EHSRs) covered by the standards listed at item 9.
 Additional information: None.

[19] Drawings and Documents:

Number	Sheet	Issue	Date	Description
3001-02	1pg	Rev. No. 00	26.07.2017	Drawing- ATCAB Adaptors Selection Chart
3001-03	1pg	Rev. No. 00	26.07.2017	Drawing- ATCAB Adaptors Selection Chart
3001-04	1pg	Rev. No. 00	26.07.2017	Drawing- ATCAB Adaptors Selection Chart
3001-08	1pg	Rev. No. 00	26.07.2017	Drawing- ATCAB Adaptors
3001-10	1pg	Rev. No. 00	26.07.2017	Drawing- ATCAB Adaptors - Thread Chart and Declaration
6929	1pg	REV. 00,	22.03.2017	Brass Material Test Report
454	1pg	Rev. No. 00	24.04.2017	Material Test Report- Mild Steel
SIL1960	1pg	Rev. No. 00		Material Data Sheet- Silicon
1256	1pg	Rev. No. 00	01.06.2017	Material Test Report- Stainless Steel
066	1pg		25.07.2017	Factory Test Report- Over pressure Test
061	1pg		25.07.2017	Factory Test Report- Torque test
071	1pg		25.07.2017	Factory Test Report- Impact Test
E-1181	6pgs		27.07.2017	IP rating Test Report- Elca Laboratories
3001-12	1pg	Rev. No. 00	26.07.2017	Installation Instructions ATCAB® ADAPTOR
24AAVCA2635B1ZW	3pgs	-	07.06.2020	Registration Certificate with new legal status

Technická inšpekcia, a.s.
 Trnavská cesta 56
 821 01 Bratislava, Slovakia
 e-mail: tisr@tisr.sk
 web: www.tisr.sk
 Tel.: +421 2 49208 100



Bratislava, August 16th, 2021

V. J.
 JUDr. Vladimír Jurík
 General Director

This Certificate has cancelled Certificate No. TI21ATEX 103 X dated January 28th, 2021
 This certificate may only be reproduced in its entirety and change, schedule included.
 Page 8 of 8 of Certificate No. TI21ATEX 1121 X